



Download from
Dreamstime.com

This watermarked comp image is for previewing purposes only.



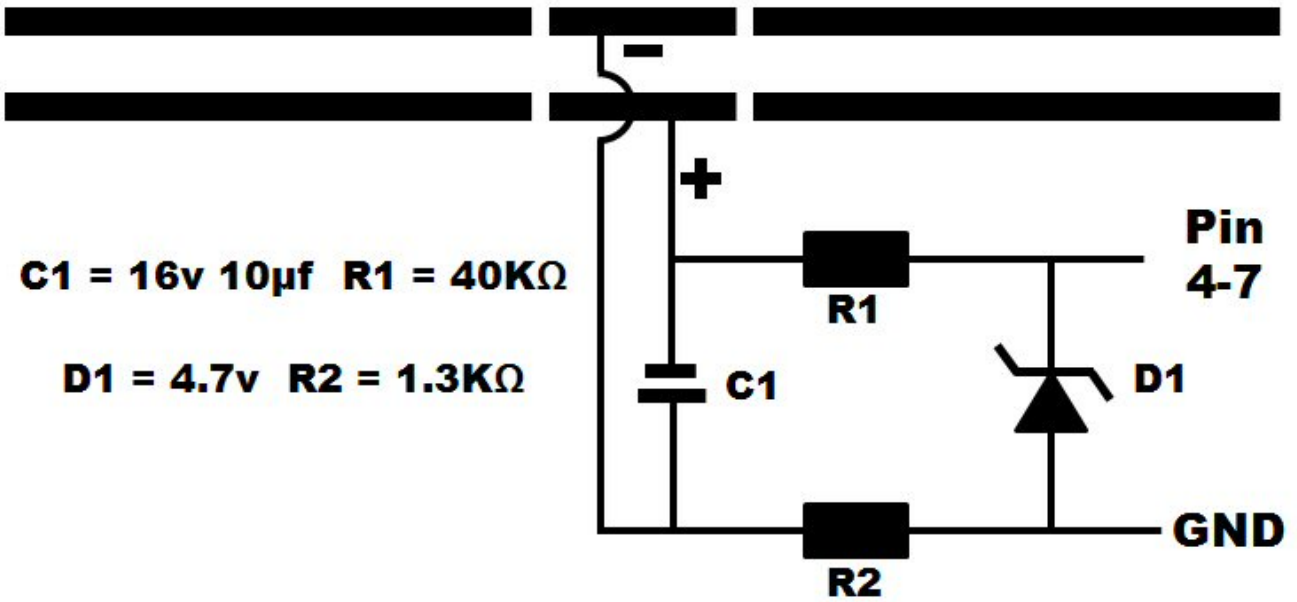
ID 35103813

© Yulia Gapeenko | Dreamstime.com

[Slot Car Timing Systems For Mac](#)

Dead Strip

Connection



[Slot Car Timing Systems For Mac](#)



Download from
Dreamstime.com

This watermarked comp image is for previewing purposes only.



ID 35103813

© Yulia Gapeenko | Dreamstime.com

Tuesday, December 29, 5: Disconnect the device from your computer Windows Aa IT Pro.. My next step is educating myself and comparing the different timing systems Can somebody give me some insight on this matter (I really didn't want to spend a bunch of money since the strip will run me around \$500 - \$600).. Or is there a way to Build my own tree, buy my own sensors and hook it up to program that may exist? I spoke with the guys at Track Mate and they told me that the 2000 didn't have the ability to take a larger tree and if I upgraded to the 3000 (\$200 more than the 2000) I would still need another \$80 piece.

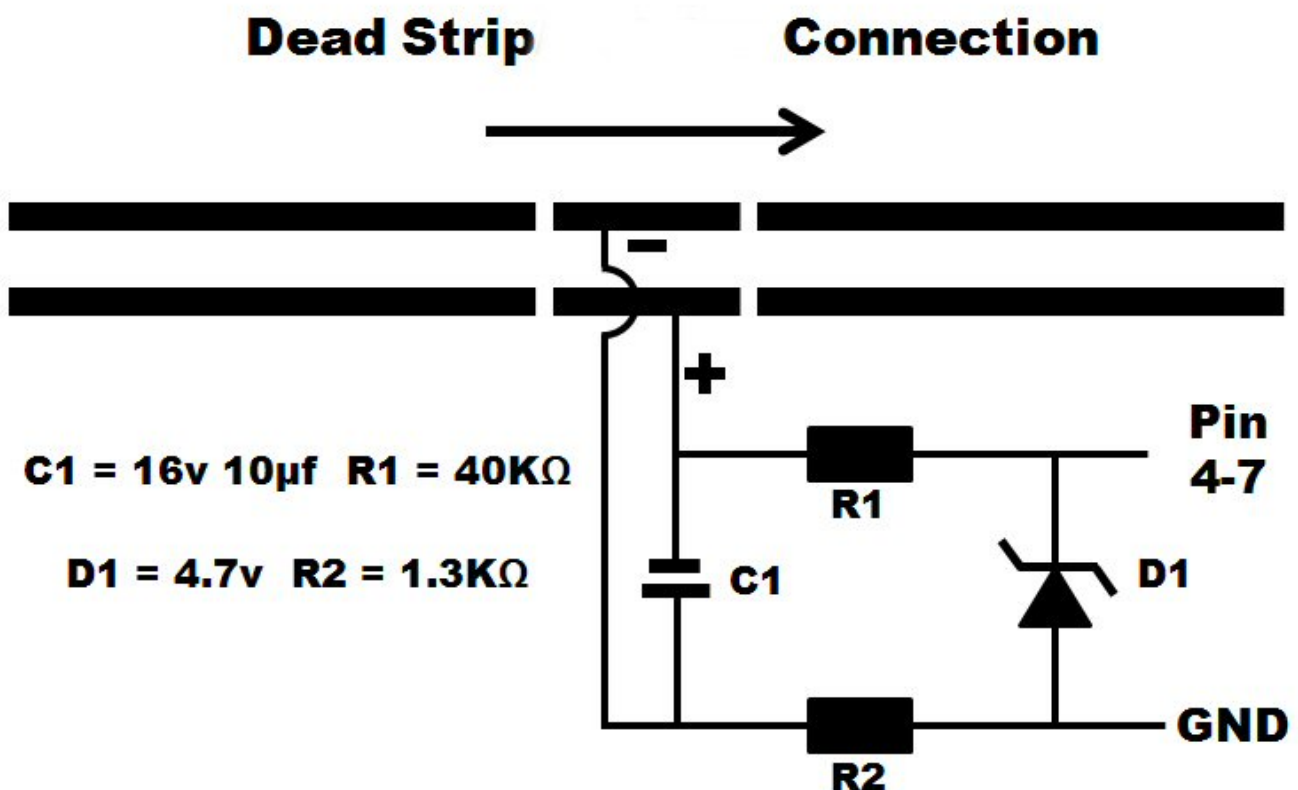
1. [commercial slot car track timing systems](#)
2. [slot car track timing systems](#)

It it basically just one IR-diod for every lane that is mounted on the bridge over the track.. Slot Car Timing Systems For MachinesI am considering purchasing a ho drag strip for my own use (at least right now).. To your timing, and which side is the LEDs needing some DC voltage to drive them.

commercial slot car track timing systems

commercial slot car track timing systems, slot car timing systems, slot car track timing systems, wood slot car track timing systems [Naruto Generations Keygen For Mac](#)

Those signals are sent via a 'controller box' to the computer through the parallel port. [Intel Driver 845 Download Free](#)



[All Fonts For Windows: Software Free Download](#)

slot car track timing systems

[Amazon Echo Ip Address](#)

Slot Car Timing Systems For MachinesSlot Car Timing Systems For MacA quick video of a project that I did for a slot racing club that I have been a member of for the last 10 years. [Alice Madness Returns For Mac](#)

[Unduh Foto V Bts Dan Jimin Fakta Tentang](#)

I've heard of Trik Traxx but they have no support, that bothers me since this would be the first one I've ever done and I'm told a good one would run \$500 (I do like there tree though).. I know a guy who will sell me one for about the price of a Track Mate 2000 system.. Is there anybody else out there that has a good quality product for drag racing at a lower price.. I believe they said I'd need a 12 volt circuit board Right now I'm looking at a Trick Trax system.. Under the track is one photo transistor for every lane that detects when a slot car passes.. Webex conferencing: personal room for mac The advantage of these is that they are discreet and false triggers above the track by hands or de-slotted cars passing under the light bridge are eliminated.. These need to be mounted in the slot so they are as near as possible to flush with the surface.. Copy the File cpqidedc For automatic identification and atapi dvd a dh16aas ata device driver, we strongly recommend to download and install the Driver Update Tool — it will help you to get the correct latest drivers for all of your devices and avoid conflicts and improper work of your system.. I've also heard of Track Mate and I like the features of the 3000 but not the price nor the tree and i was told it would cost me another \$80 for a circuit board? To hook up a larger tree. cea114251b [Garageband Accordion Mdr Accordion For Garageband 1.0 For Mac](#)

cea114251b

[Free Apk Mods](#)